

**Flexibility to meet
today's needs**

...and tomorrow's!



Print & Apply Labeler

Today's marketplace demands flexibility and EPI's line of Print & Apply labelers deliver. Available in a variety of configurations to suit virtually every application, EPI's Print & Apply Labelers keep you up and running with minimum downtime. If your needs change, no need to worry, so do our labelers. Our modular construction and small footprint allow for infield re-configuration to keep your production flowing. EPI Print & Apply Labelers - Simple. Precise. Flexible.

WHY EPI?

For close to 30 years EPI Labelers have been designed and engineered for reliability and ease of use. We take the time to understand each application and listen to our customers needs. Let us show you how Precise Thinking and Simple Design can help you.

Reliable

EPI Labelers are built to stand up to the daily use and harsh environments that come with the territory. Enclosed direct drive technology along with corrosion resistant material allows our labelers to work in dusty, wet and cold packaging operations with a minimum amount of maintenance required. Your operators and mechanics will appreciate EPI Labelers ease of set up and use.

Versatile

Sure, EPI Labelers are easy to set up and operate, but the versatility that is engineered into all our equipment allows you to use our labelers in a variety of applications. Whether your job calls for a non contact vacuum/blow, tamp or two panel application we can configure our labelers to meet your needs.

Quick and Easy Setup

Our customers tell us that EPI Labelers give them the ease of use that they have not experienced with other labeler equipment. The cantilevered design lends itself to easy threading and the simple mechanical adjustments needed to change label size make EPI Labelers a favorite of mechanics and operators everywhere.

Printing: Handles web widths of 0.5" to 6.5"

Print Resolutions: Up to 609 DPI depending on print speed

Label Size: Print labels up to 6" wide and 10"+long

Speed: Print speeds up to 16" per second (960 in min)

Pneumatics: 4 SCFM, 60 PSI for typical applications

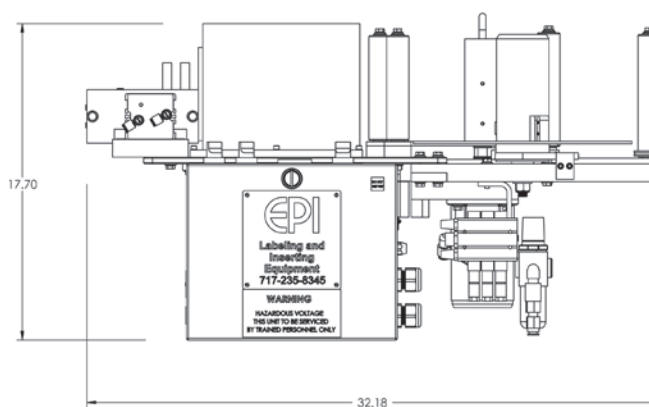
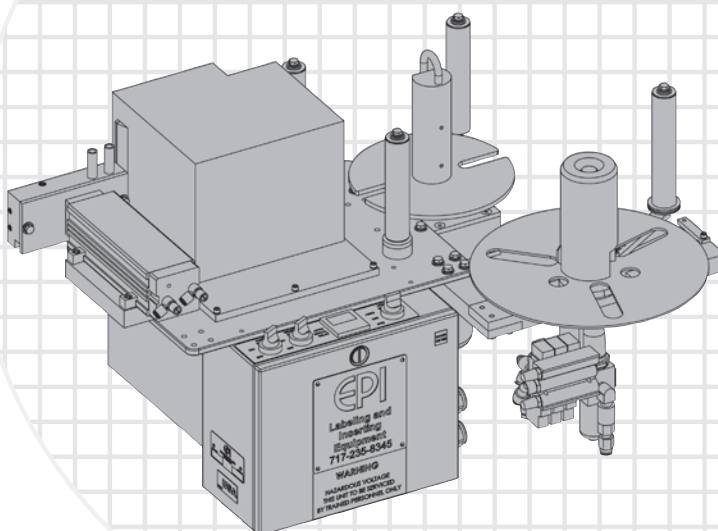
Electrical: 110VAC 5A, 50/60Hz

Construction: Hard anodized aluminum and stainless steel

Dimensions: 27" L x 23" H x 17"W

Weight: 85lbs, typical configuration

Configurations: Vac/Blow
Tamp
Corner Wrap (Leading & Trailing),
2-Panel
Tamp/Blow



If viewing this document electronically, [click here](#) for additional information.

Precise Thinking. Simple Design. Simple - Precise - Durable. These words have defined our labeling and promotional inserting equipment since our inception in 1980. EPI labelers and promotional inserters are used in a wide variety of industries from food packaged in flexible material to warehouse case labeling. Our equipment integrates with a wide variety of packaging equipment, is easy to operate and will give you years of dependable service.

Customer Commitment: Our design and service teams know that the simpler the design the less likely you are to have costly downtime. We are proud to offer our customers PMMI certified training. If you should require after sale service our technicians are available for both on site and phone service and will stick with you to solve the problem. Our extensive inventory of parts allows us to ship most parts orders the same day to minimize your downtime.